

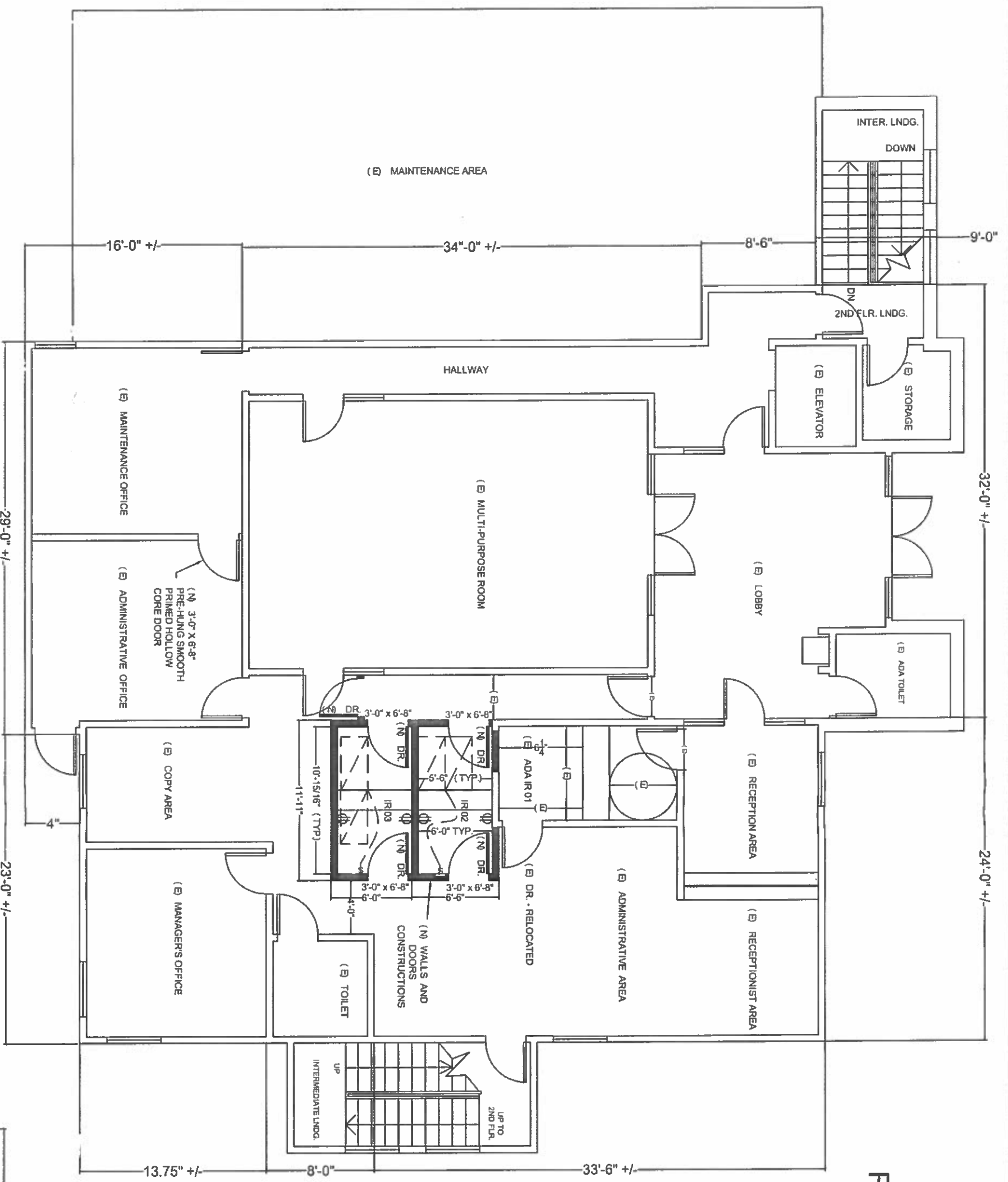


REFERENCE NORTH

LEGEND

- (E) - EXISTING
- (N) - NEW
- IR - INTERVIEW ROOM
- IR - INTERVIEW ROOM

- (E) CONSTRUCTION - WALLS, DOORS, WINDOWS TO REMAIN
- (N) DR.
- (N) CONSTRUCTION - WALLS, DOORS

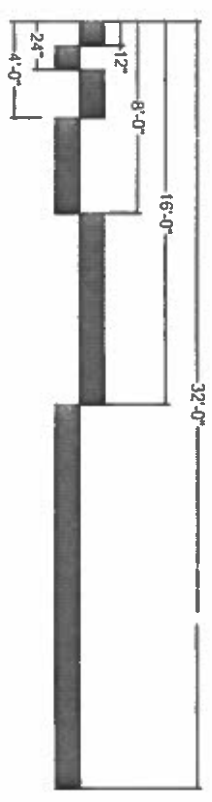


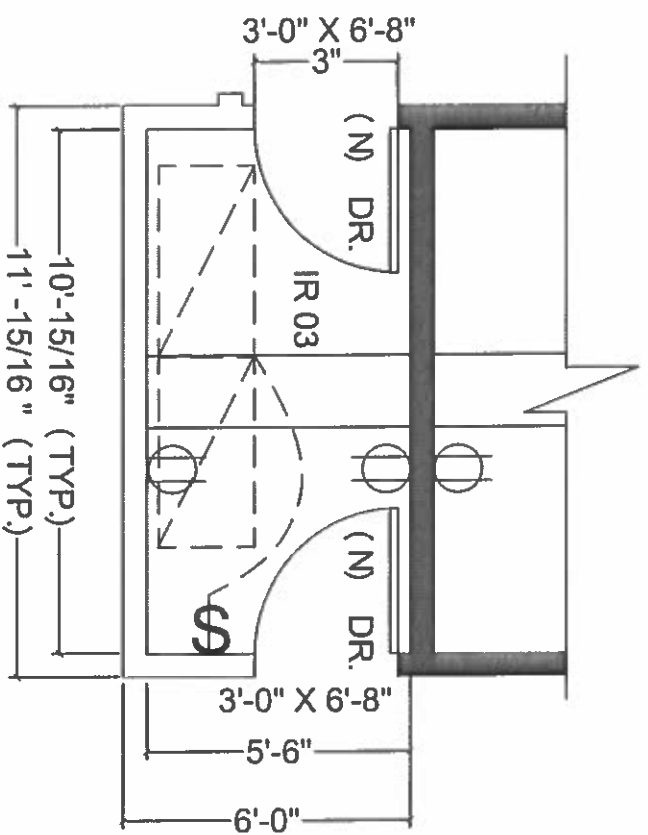
1

GROUND FLOOR PLAN

SCALE: 1-1/2" = 12'-0"

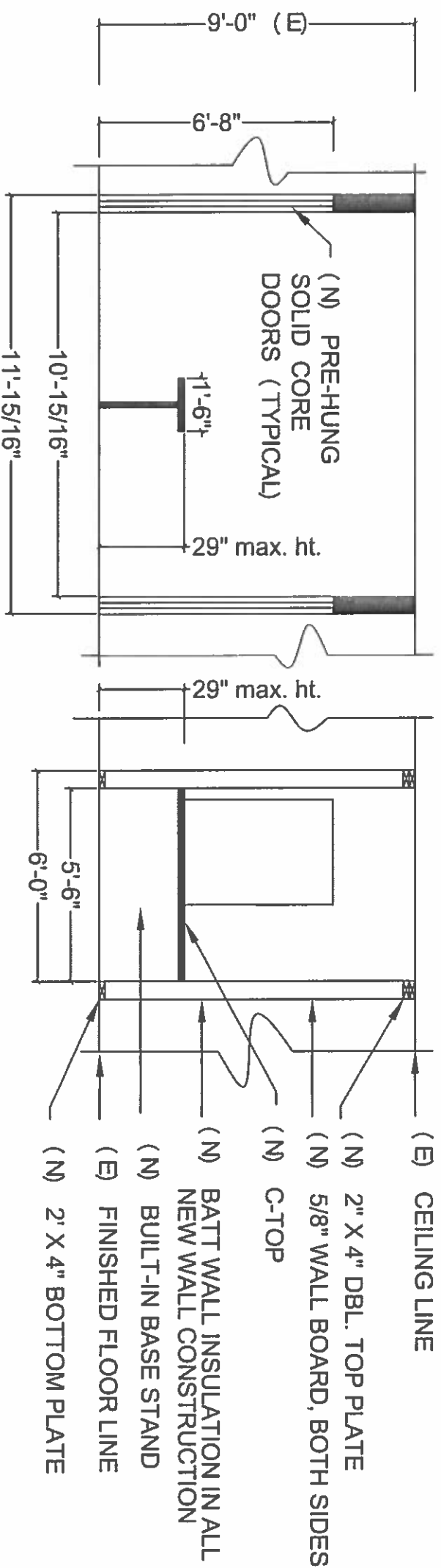
SCALE: 1-1/2" = 12'-0"





Note: Dimensions are typical. fluorescent light fixtures locations, see Reflected Ceiling Plan

FLOOR PLAN (TYPICAL)

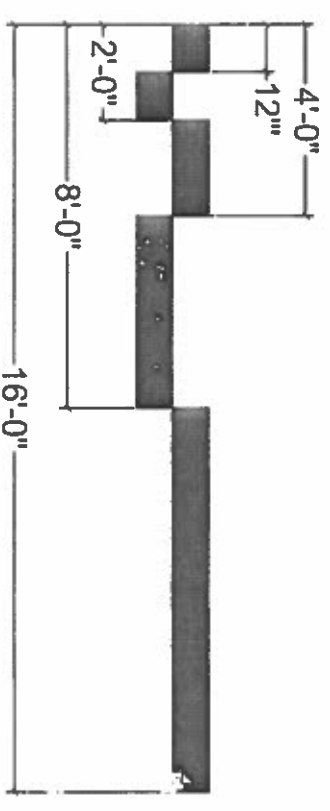


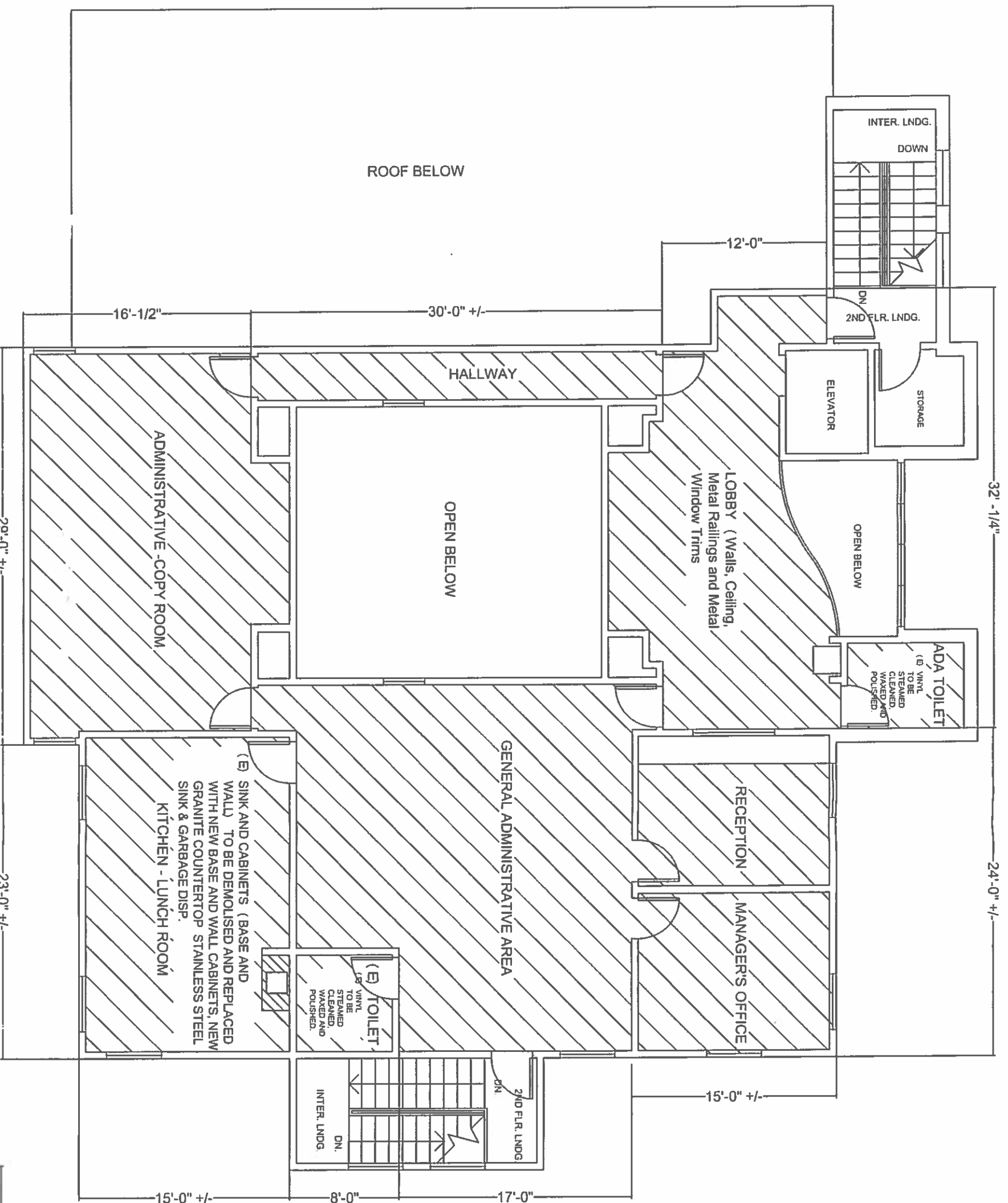
SECTIONS AND ELEVATIONS (TYPICAL)

2

INTERVIEW ROOMS 2 & 3 SCALE: 3" = 12'-0"

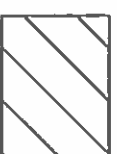
SCALE: 3" = 12'-0"



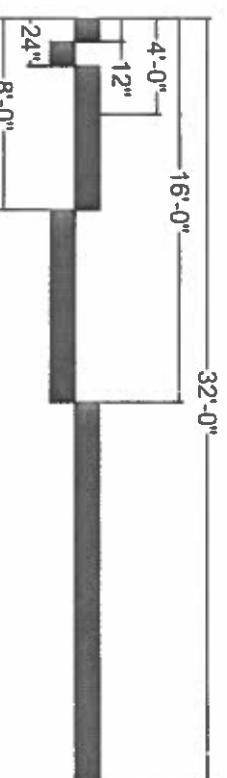


REFERENCE NORTH

LEGEND:



AREAS TO BE PAINTED



SECOND FLOOR PLAN

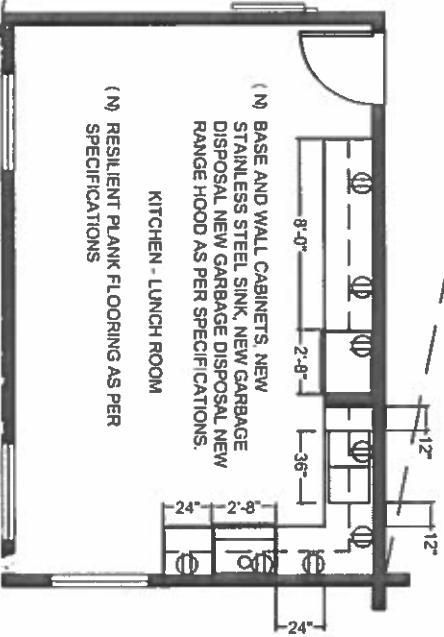
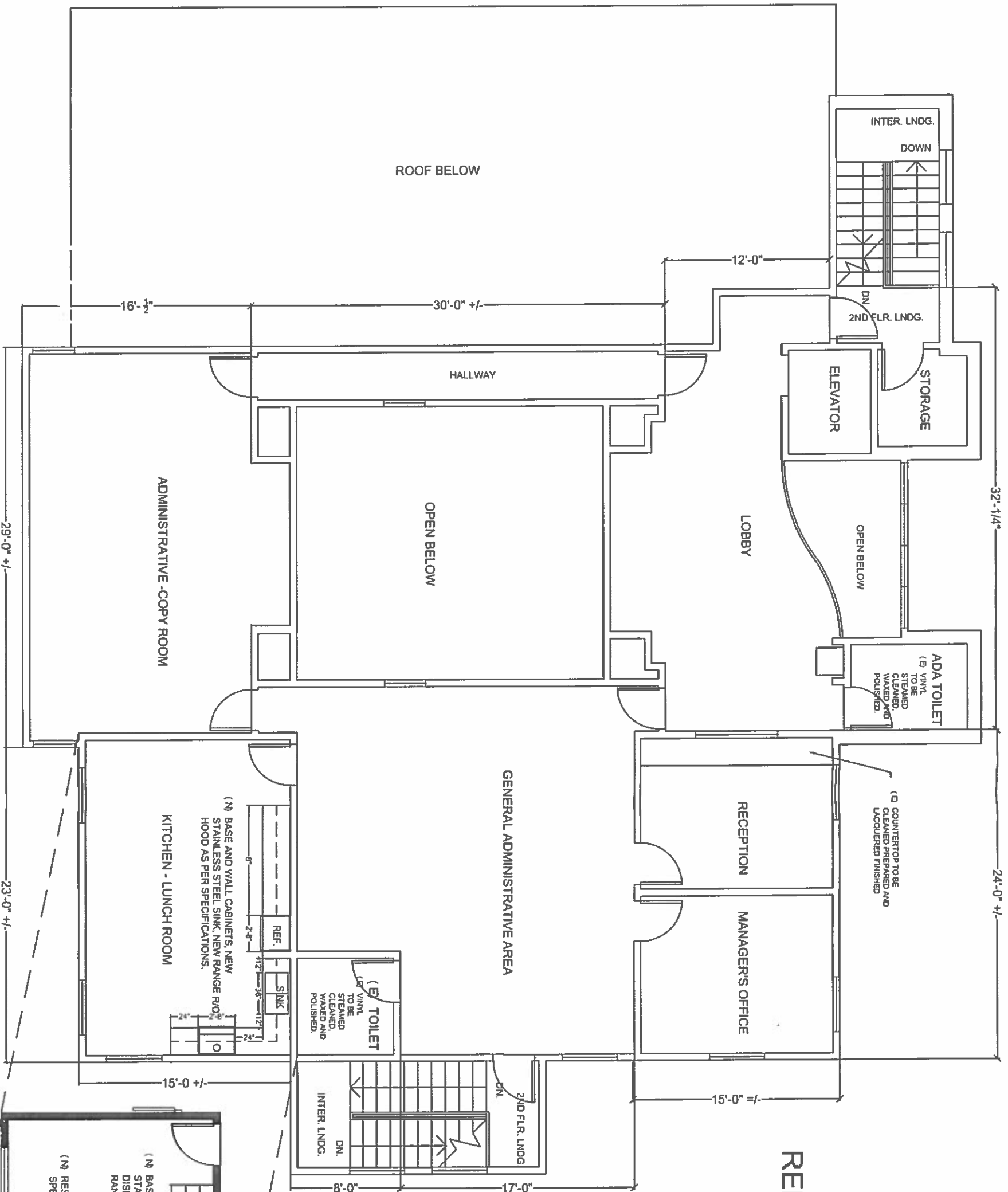
SCALE: 1-1/2" = 12' - 0"

3

SCALE: 1-1/2" = 12' - 0"



REFERENCE NORTH



4

REVISED SECOND FLOOR PLAN

NEW KITCHEN LAYOUT

SCALE: 1-1/2" = 12' - 0"

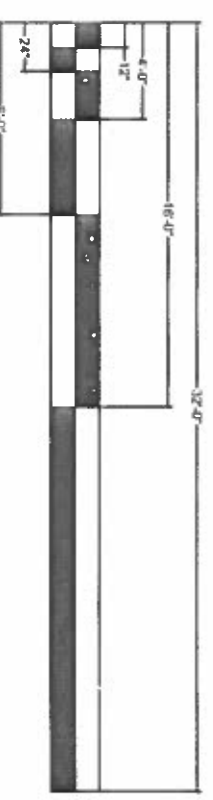
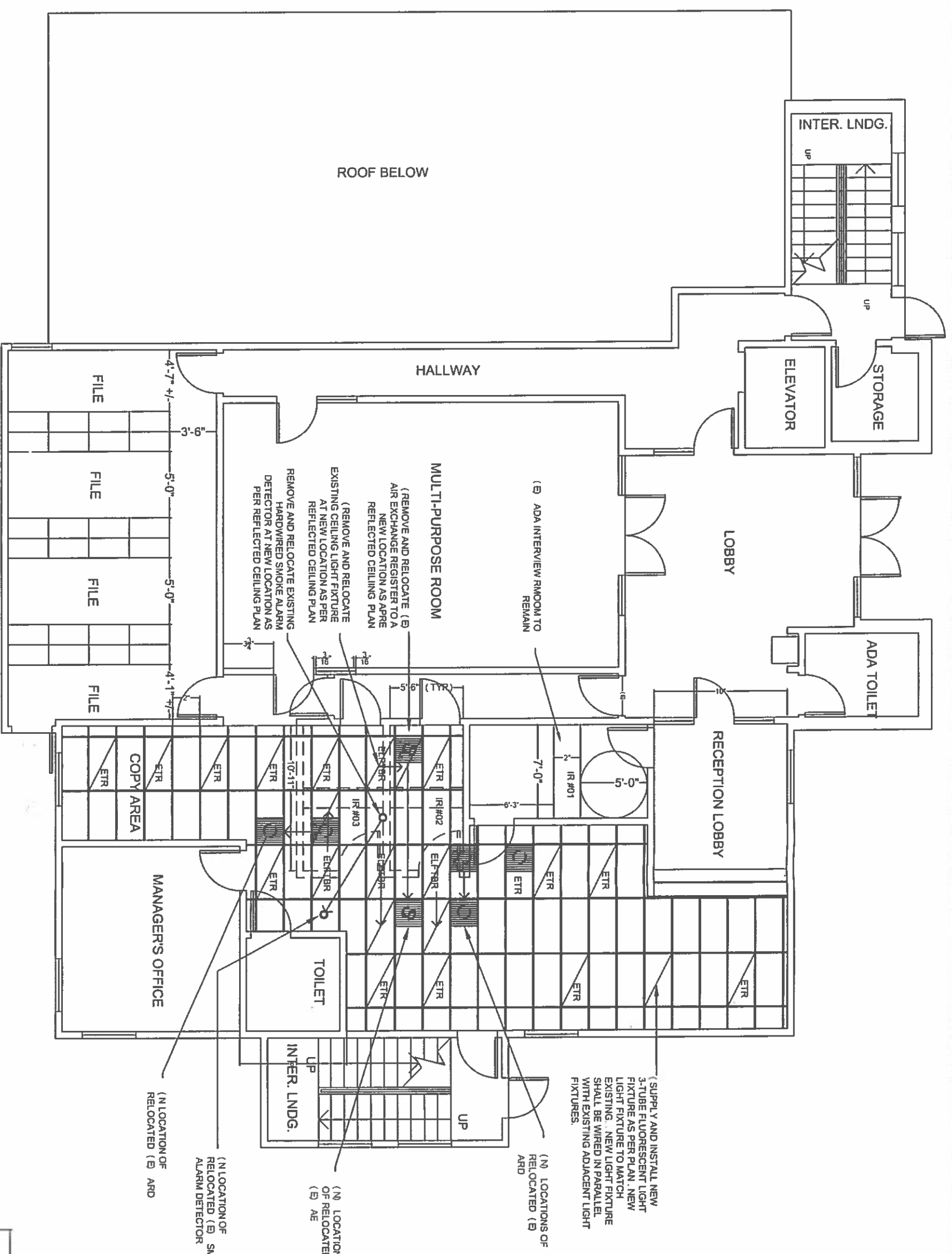
SCALE: 1-1/2" = 12' - 0"



REFERENCE NORTH

LEGEND

- (B) EXISTING
- (N) NEW
- ETR EXISTING TO REMAIN
- AE AIR EXCHANGE
- ARD AIR REGISTER DISTRIBUTOR
- HW SAD HARDWIRED SMOKE ALARM DETECTOR
- ELFTBR EXISTING LIGHT FIXTURE TO BE RELOCATED
- IR INTERVIEW ROOM
- EXISTING AIR EXCHANGE TO BE REMOVED AND RELOCATED
- EXISTING AIR REGISTER TO BE RELOCATED, E REMOVED AND RELOCATED
- EXISTING 3-TUBE FLUORESCENT LIGHT FIXTURE TO REMAIN
- HW SAD



GROUND FLOOR REFLECTED CEILING PLAN AT INTERVIEW ROOMS AND GENERAL OFFICE AREA

5

SCALE: 1-1/2" = 12" - 0"

SCALE: 1-1/2" = 12" - 0"